

28 SEPTEMBER 2016

MWM FRENI FRIZIONI is dedicated to the design of special solutions in order to meet every requirement of the customer.

In mining industry MWM POTP-N680-Special spring-applied, hydraulically-released, caliper brakes are utilized for holding and emergency stopping of railway wagons.

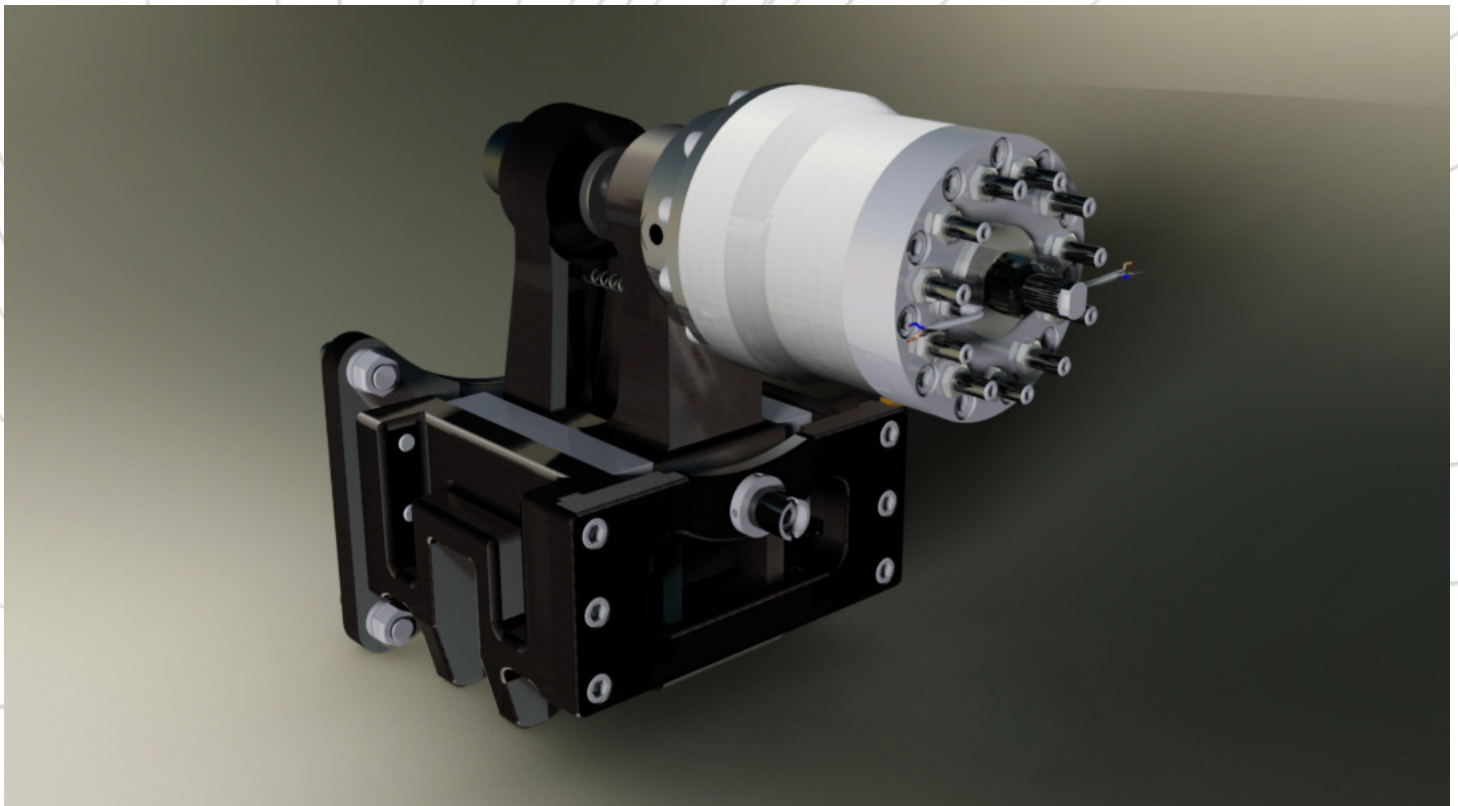
The revolutionary orthogonal freedom of movement, patented by MWM FRENI FRIZIONI, allows to **every** MWM brake caliper to be installed on the wagon and to squeeze the pads against a rail.

This arrangement allows the pads to accommodate ± 10 mm of axial rail movement and to fit perfectly on the rail.

The picture shows a special version of MWM POTP-N680 (spring-applied, hydraulically-released caliper). This caliper offers an adjustable braking spring force in order to avoid too hard braking.

This caliper is used in case of a failure of the service brake and allows to stop a wagon with a predetermined deceleration. In case of changing loads it's possible to adjust the braking force to maintain the same set deceleration.

This caliper is also equipped with two ON-OFF indicators to increase safety.



28 SEPTEMBER 2016

POTP-N680 Special caliper brakes (spring-applied, hydraulically-released,)

Braking Force <i>Forza Frenante</i>		Operating pressure <i>Pressione di lavoro</i>	Weight <i>Peso</i>
[N]	N	[bar].	[kg]
Adjustable / <i>Regolabile</i> From 22.000 up to 35.000		35	67

MAIN APPLICATIONS

- MINING INDUSTRY (vehicles, wagon, lifting systems ..)
- ENERGY (mainly on wind turbines and other turbine, fan ..)
- ENTERTAINMENT
- PACKAGING
- CONVERTING INDUSTRY
- WIRE, CABLE & SCREW INDUSTRY
- TEXTILE & TANNING INDUSTRY
- FOOD INDUSTRY
- OIL & GAS INDUSTRY
- RUBBER & TYRE INDUSTRY
- METALFORMING INDUSTRY
- STEEL INDUSTRY
- TEST BENCHES
- WOOD INDUSTRY
- MARINE INDUSTRY

28 SEPTEMBER 2016

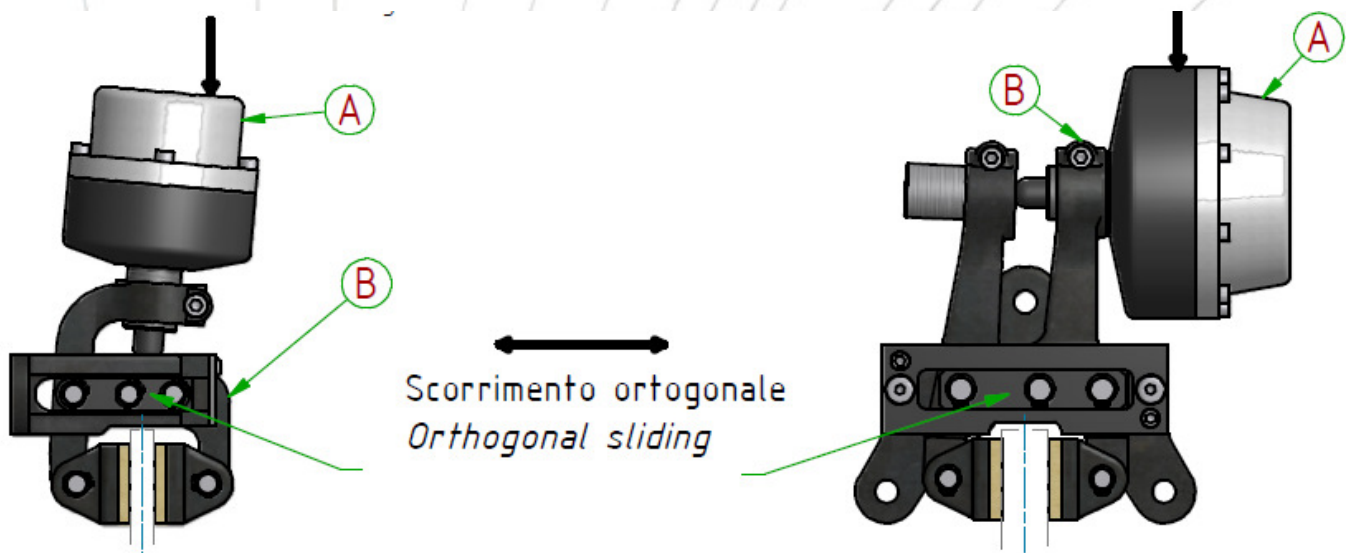
FEATURES

POTP-N680 Special

- Adjustable emergency braking force (From 22.000 N up to 35.000 N)
- 2 ON-OFF indicator

FOR ALL MWM CALIPERS

- SELF-ALIGNING SYSTEM with orthogonal Sliding:



This patented configuration allows:

- Installation on RAIL (and on DISCK)
 - Self-align perfectly to the disk (or RAIL)
 - Easier brake installation
 - Orthogonal freedom of movement
- Compact Thruster patented design